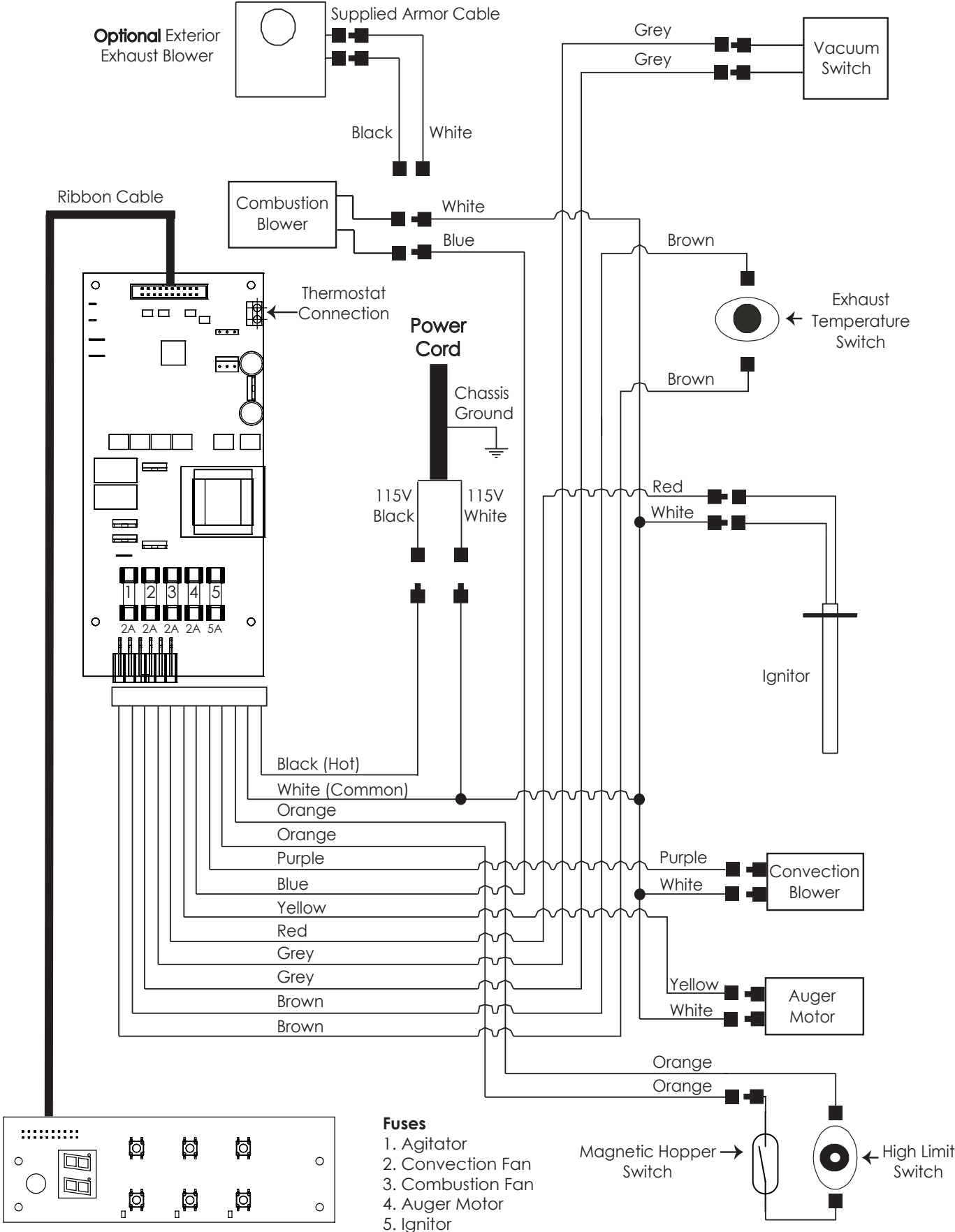


Enviro P3 Pellet Stove WIRING DIAGRAM



- Fuses**
1. Agitator
 2. Convection Fan
 3. Combustion Fan
 4. Auger Motor
 5. Ignitor